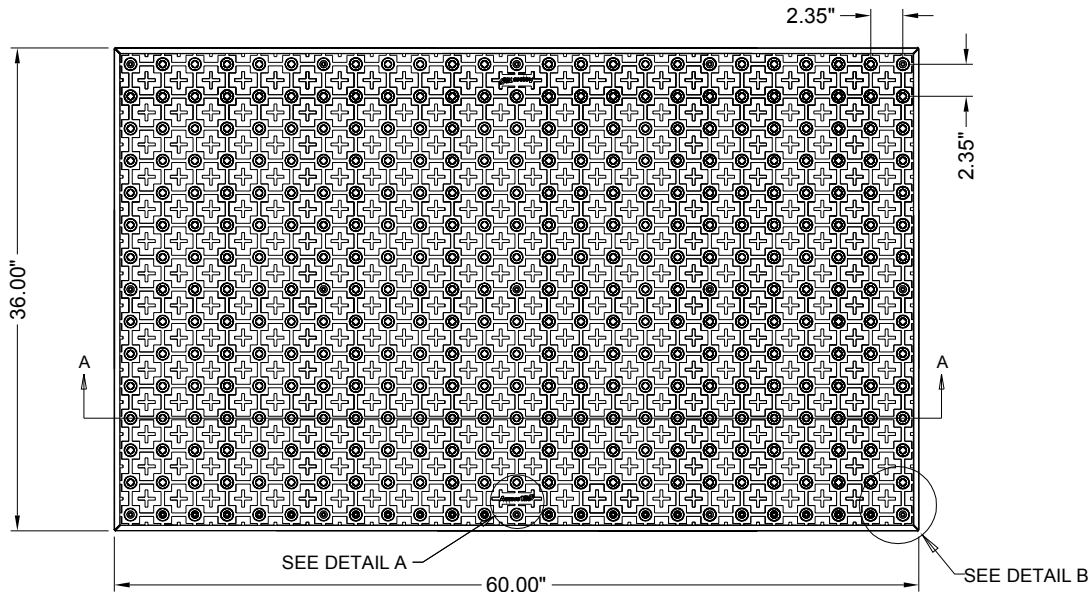


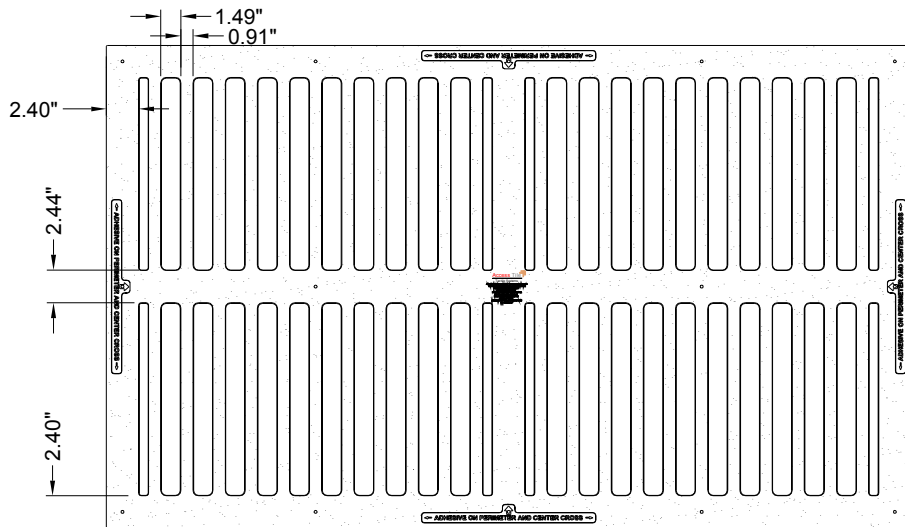
**3'X5'**

**SURFACE APPLIED  
2.35" DOME SPACING**

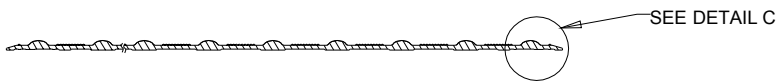
www.AccessTile.com 888-679-4022



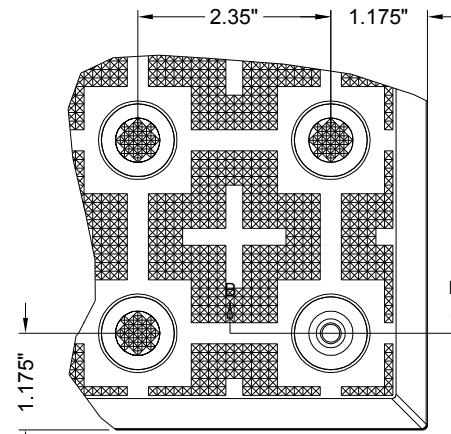
**PLAN**



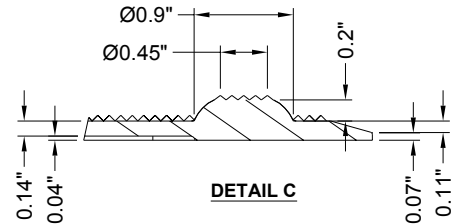
**UNDERSIDE VIEW**



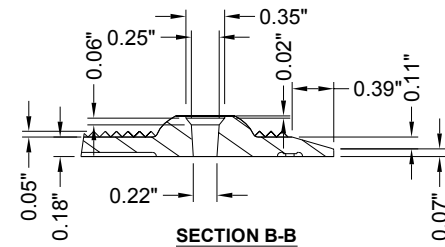
**SECTION A-A**



**DETAIL B**



**DETAIL C**



**SECTION B-B**



www.AccessTile.com

Access Products Inc

© Access Products Inc.  
ACCESS, ACCESS TILE, ACCESS AND THE THREE AND TWO DIMENSIONAL DESIGNS ON THE TILE BETWEEN DOMES AND ON DOMES ARE TRADEMARKS OF ENGINEERED SYSTEMS INC. PATENTS PENDING IN THE UNITED STATES, CANADA AND INTERNATIONALLY MANUFACTURED AND DISTRIBUTED UNDER LICENSE BY ACCESS WORLD PRODUCTS INCORPORATED www.accesstile.com  
© KENNETH E. SZEKELY

**MATERIAL LIST**

ITEM	DESCRIPTION	PART NO.	QTY
1	ACCESS TILE	ACC-S-3X5	1
2	Tek™ ANCHOR	ACC-S-ANCH	15
3	TACTILE BOND AND SEAL	TBS-010	1 ea

NOTE: FASTENERS AND 1 TUBE OF TACTILE BOND AND SEAL ARE INCLUDED WITH TILE

**REFERENCE DRAWINGS**

DWG. NO.	DESCRIPTION

No.	DATE	REVISION	APPR.

SCALE 1"=1'-0" U.N.D. FULL SIZE ONLY

DESIGNED KES DATE 10/09/2008

DRAWN RWO DATE 10/15/2008

CHECKED KES

PROJECT MANAGER

TRADE DETECTABLE WARNING SURFACE PART NO. ACC-S-3X5

MATERIAL POLYMER COMPOSITE

SUBJECT **ACCESS TILE®**  
TRUNCATED DOME, DETECTABLE WARNING TACTILE SURFACE

PROJECT **ACCESS TILE®**  
TRUNCATED DOME, DETECTABLE WARNING TACTILE SURFACE  
3X5 SURFACE APPLIED  
INLINE DOME TILE DRAWING.

DRAWING NO. ACC-S-3X5 REV. NO. Ø