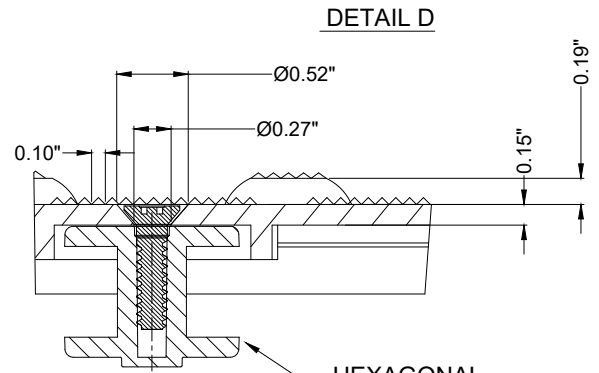
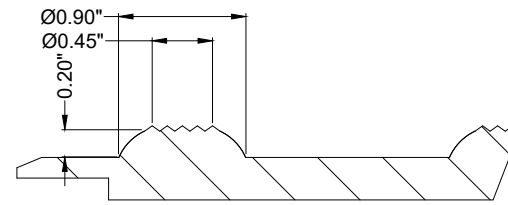
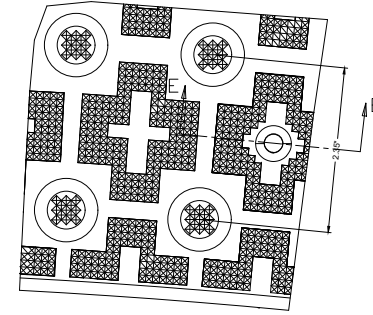
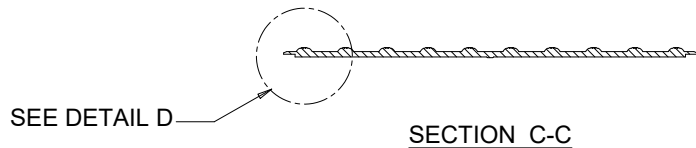
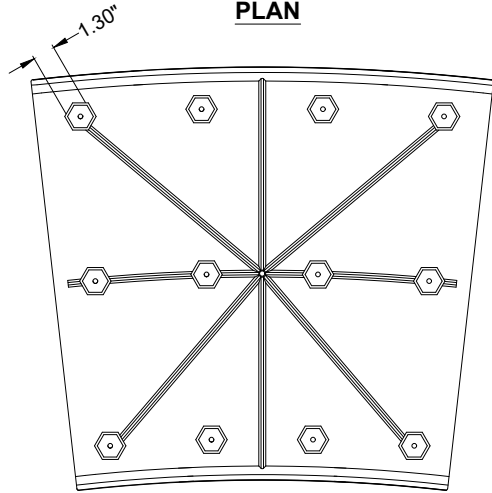
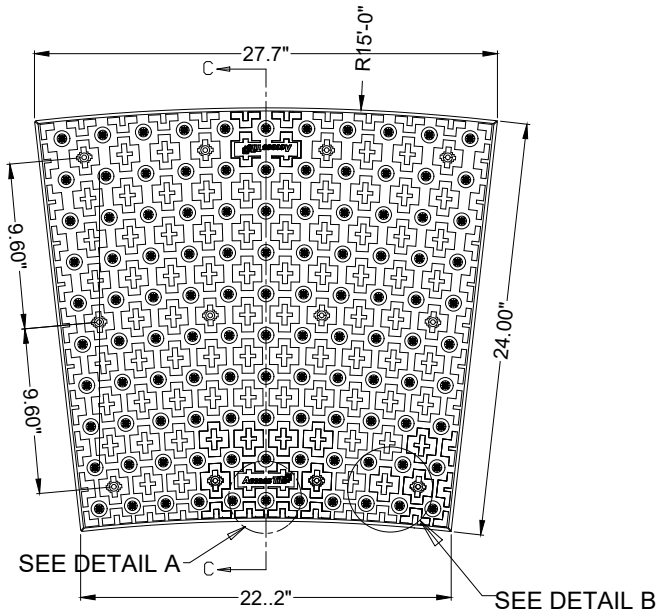


RADIUS

REPLACEABLE CAST IN PLACE 2.35" DOME SPACING



surewerx.com



MATERIAL LIST

ITEM	DESCRIPTION	PART NO.	QTY
1	ACCESS TILE	ACC-R-2X2CRV	1
2	ANCHOR ASSEMBLY	ACC-R-ANCH	12

NOTE: ANCHOR ARE INCLUDED AND ASSEMBLED ON TILE.

REFERENCE DRAWINGS

DWG. NO.	DESCRIPTION		
No.	DATE	REVISION	APPR.

SCALE 1"=1'-0" U.N.O. FULL SIZE ONLY

DESIGNED	KES	DATE
DRAWN	RWO	07/15/2024
DRAWN	KES	

PROJECT MANAGER	
TRADE DETECTABLE WARNING SURFACE	PART NO. ACC-R-2X2CRV
MATERIAL	POLYMER COMPOSITE

SUBJECT **ACCESS TILE®**
TRUNCATED DOME, DETECTABLE WARNING TACTILE SURFACE

PROJECT **ACCESS TILE®**
TRUNCATED DOME, DETECTABLE WARNING TACTILE SURFACE
2X2 CURVED REPLACEABLE CAST IN PLACE
INLINE DOME TILE DRAWING.

DRAWING NO.	ACC-R-2X2CRV	REV. NO.	0
-------------	--------------	----------	---