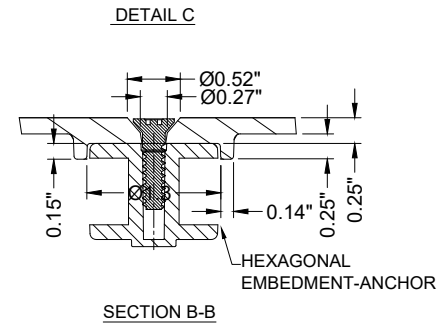
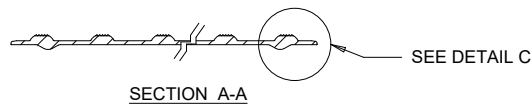
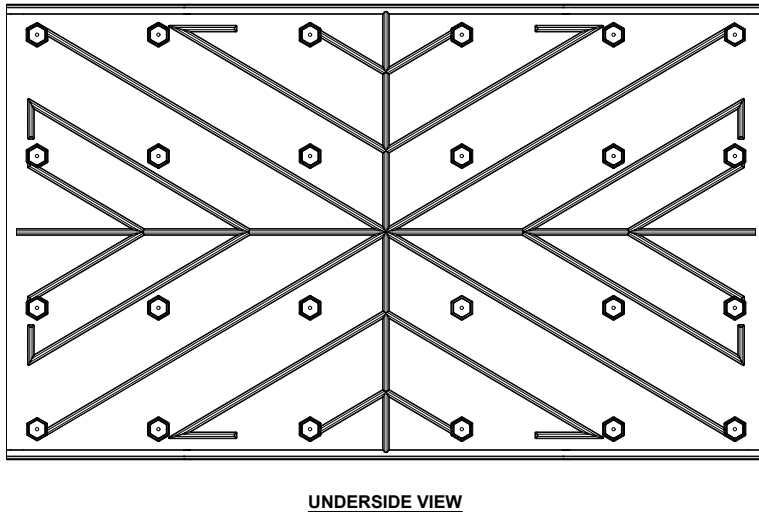
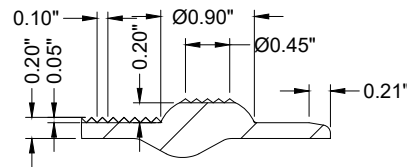
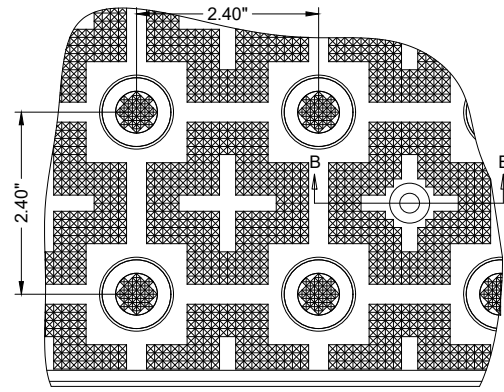
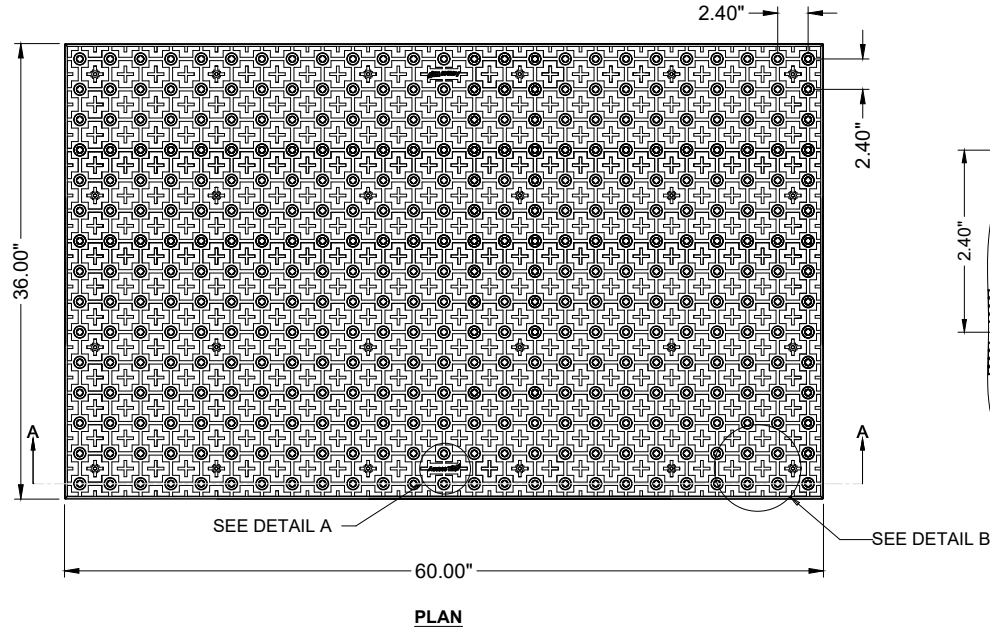


3'X5'

**REPLACEABLE CAST IN PLACE
2.40" DOME SPACING**



surewerx.com



MATERIAL LIST

ITEM	DESCRIPTION	PART NO.	QTY
1	ACCESS TILE	ACC-R-3X5	1
2	ANCHOR ASSEMBLY	ACC-R-ANCH	24

NOTE: ANCHOR ARE INCLUDED AND ASSEMBLED ON TILE.

REFERENCE DRAWINGS

DWG. NO.	DESCRIPTION

No.	DATE	REVISION	APPR.

SCALE
1"=1'-0" U.N.O.
FULL SIZE ONLY

DESIGNED KES	DATE
DRAWN RWO	07/15/2024
DRAWN KES	

PROJECT MANAGER

TRADE DETECTABLE WARNING SURFACE	PART NO. ACC-R-3X5
-------------------------------------	-----------------------

MATERIAL
POLYMER COMPOSITE

SUBJECT
ACCESS TILE[®]
TRUNCATED DOME, DETECTABLE
WARNING TACTILE SURFACE

PROJECT
ACCESS TILE[®]
TRUNCATED DOME, DETECTABLE
WARNING TACTILE SURFACE
3X5 REPLACEABLE CAST IN PLACE
INLINE DOME TILE DRAWING.

DRAWING NO. ACC-R-3X5	REV. NO. 0
--------------------------	---------------