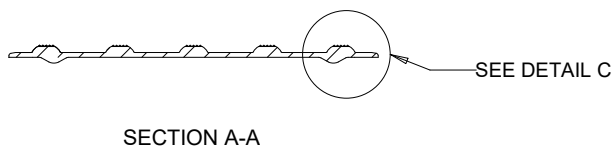
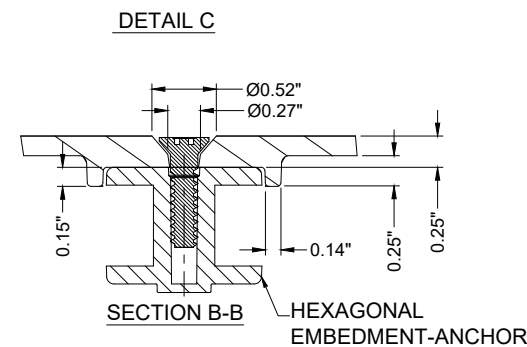
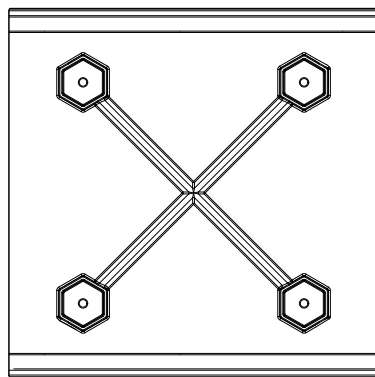
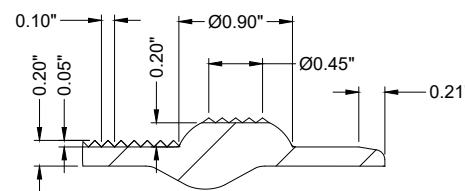
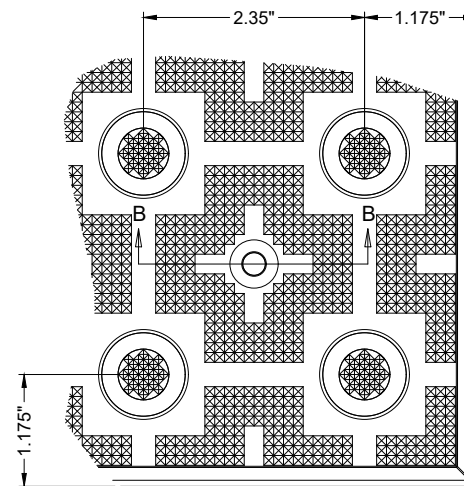
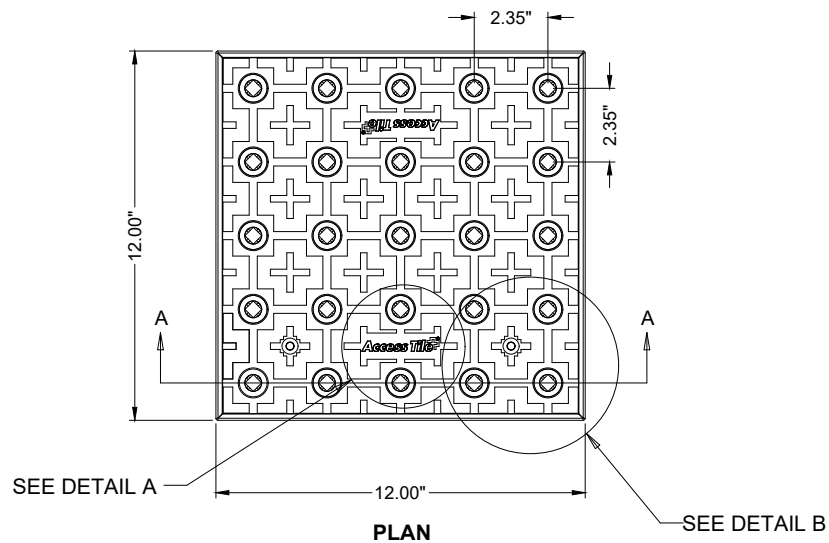


1'X1'

REPLACEABLE CAST IN PLACE  
2.35" DOME SPACING



surewerx.com



MATERIAL LIST

ITEM	DESCRIPTION	PART NO.	QTY
1	ACCESS TILE	ACC-R-1X1	1
2	ANCHOR ASSEMBLY	ACC-R-ANCH	4

NOTE: ANCHOR ARE INCLUDED AND ASSEMBLED ON TILE.

REFERENCE DRAWINGS

DWG. NO.	DESCRIPTION

No.	DATE	REVISION	APPR.

SCALE 1"=1'-0" U.N.O. FULL SIZE ONLY

DESIGNED	KES	DATE	
DRAWN	RWO	01/15/2024	
DRAWN	KES		

PROJECT MANAGER

TRADE	DETECTABLE WARNING SURFACE	PART NO.	ACC-R-1X1
-------	----------------------------	----------	-----------

MATERIAL POLYMER COMPOSITE

SUBJECT **ACCESS TILE®**  
TRUNCATED DOME, DETECTABLE WARNING TACTILE SURFACE

PROJECT **ACCESS TILE®**  
TRUNCATED DOME, DETECTABLE WARNING TACTILE SURFACE  
1X1 REPLACEABLE CAST IN PLACE  
INLINE DOME TILE DRAWING.

DRAWING NO.	ACC-R-1X1	REV. NO.	0
-------------	-----------	----------	---