

# 3'X4'

## SURFACE APPLIED 2.35" DOME SPACING

www.AccessTile.com 888-679-4022



Tactile Systems

www.AccessTile.com

Access Products Inc

© Access Products Inc. AND THE THREE AND TWO DIMENSIONAL DESIGNS ON THE TILE BETWEEN DOMES AND ON DOMES ARE TRADEMARKS OF ENGINEERED SYSTEMS INC., UNITED STATES, CANADA AND INTERNATIONALLY. MANUFACTURED AND DISTRIBUTED UNDER LICENSE BY ACCESS WORLD PRODUCTS INCORPORATED  
www.accesstile.com  
KENNETH E. SZKRELY

MATERIAL LIST

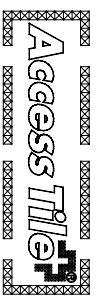
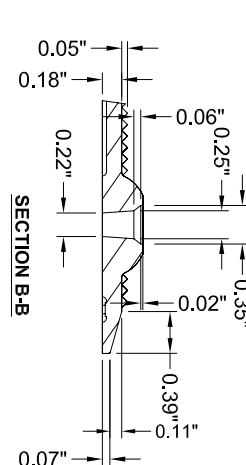
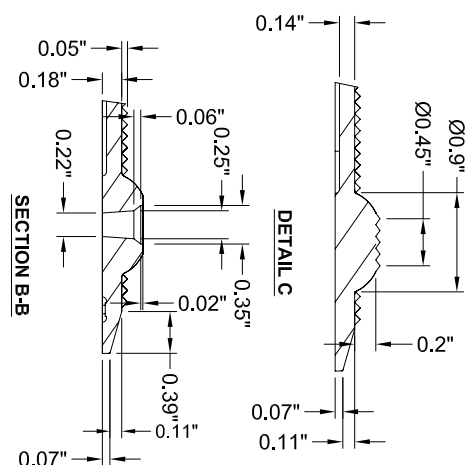
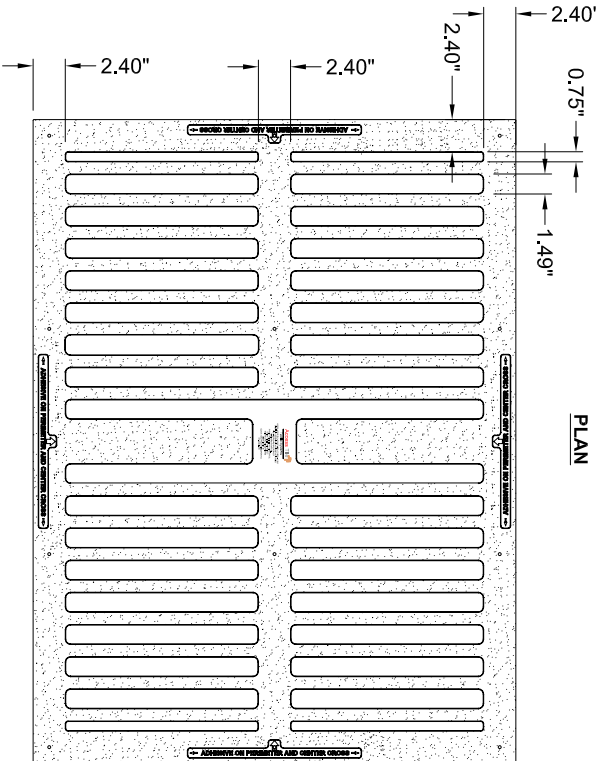
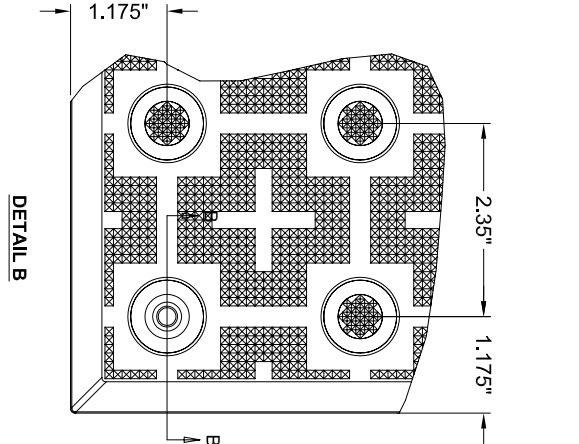
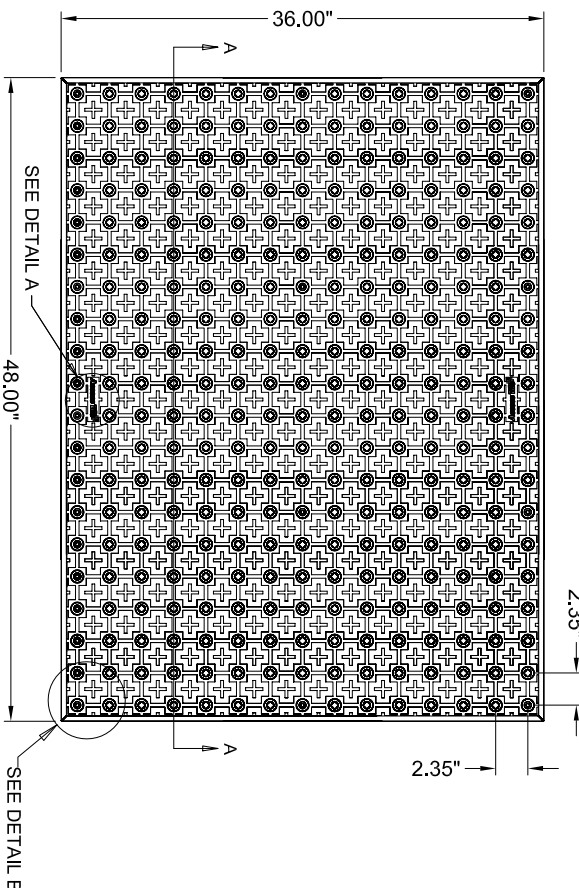
ITEM DESCRIPTION	PART NO.	QTY
1 ACCESS TILE	ACC-S-3X4	1
2 1/4" ANCHOR	ACC-S-5-ANCH	12
3 TACTILE BOND AND SEAL	TBS-010	1 ea

NOTE: FASTENERS AND 1 TUBE OF TACTILE BOND AND SEAL ARE INCLUDED WITH TILE

REFERENCE DRAWINGS

DWG. NO. DESCRIPTION

DWG. NO.	DESCRIPTION



DETAIL A

UNDERSIDE VIEW

SECTION A-A

SEE DETAIL C

SCALE	1"=1'-0" UNLESS NOTED OTHERWISE
DESIGNED	KES DATE: 10/09/2008
DRAWN	RMO DATE: 10/15/2008
CHECKED	KES
PROJECT MANAGER	
TITLE	PART NO. ACC-S-3X4
MATERIAL	POLYMER COMPOSITE
SUBJECT	ACCESS TILE TRUNCATED DOME, DETECTABLE WARNING TACTILE SURFACE
PRODUCT	ACCESS TILE TRUNCATED DOME, DETECTABLE WARNING TACTILE SURFACE 3X4 SURFACE APPLIED INLINE DOME TILE DRAWING.
DRAWING NO.	ACC-S-3X4
REV. NO.	Ø