

2'X2'

**SURFACE APPLIED  
2.35" DOME SPACING**

www.AccessTile.com 888-679-4022



Tactile Systems

www.AccessTile.com  
Access Products Inc

© Access Products Inc. ACCESS TILE, ACCESS AND THE THREE AND TWO DIMENSIONAL DESIGNS ON THE TILE BETWEEN DOMES AND ON DOMES ARE TRADEMARKS OF ENGINEERED SYSTEMS INC. PATENTS PENDING IN THE UNITED STATES, CANADA AND INTERNATIONALLY UNDER LICENSE BY ACCESS WORLD PRODUCTS INCORPORATED  
www.accesstile.com  
KENNETH E. SZEKELY

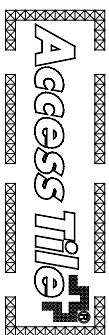
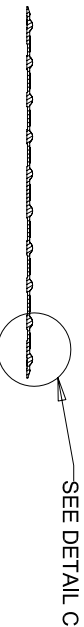
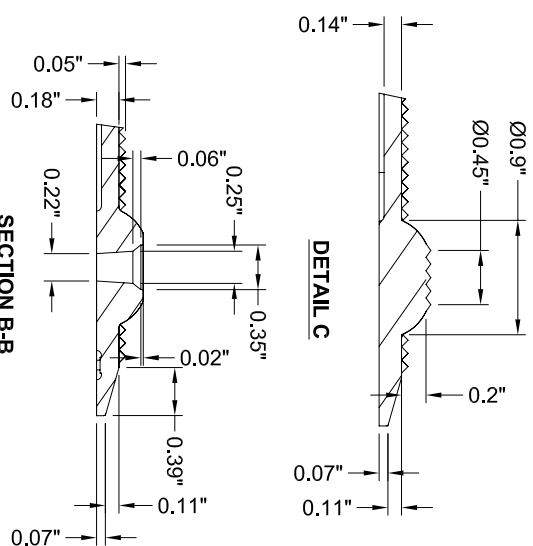
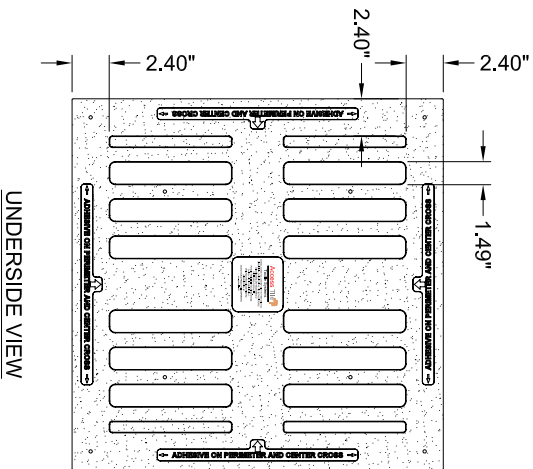
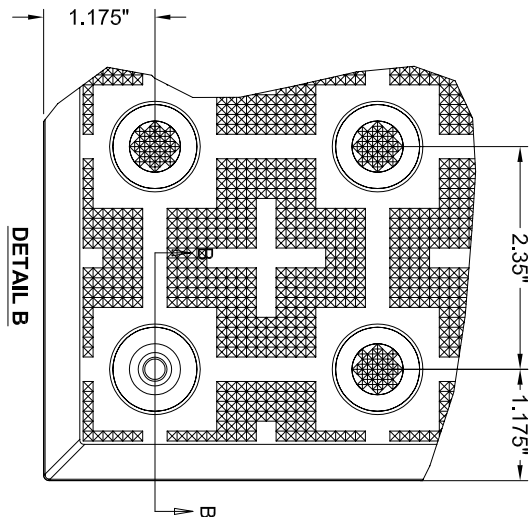
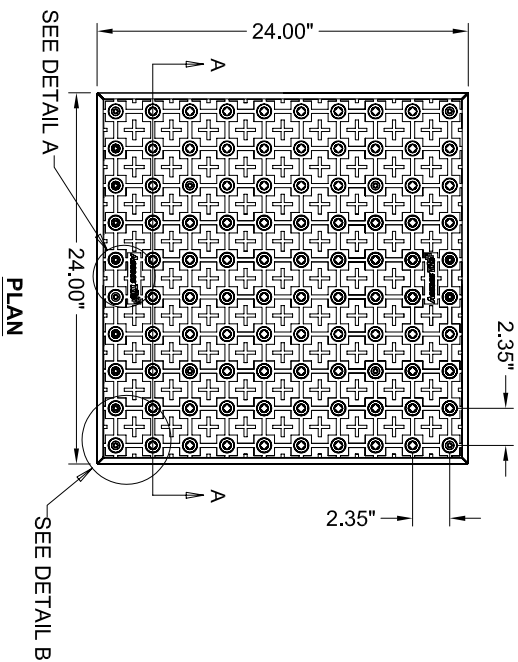
**MATERIAL LIST**

ITEM DESCRIPTION	PART NO.	QTY
1 ACCESS TILE	ACC-S-2X2	1
2 1/8" ANCHOR	ACC-S-ANCH	8
3 TACTILE BOND AND SEAL	TBS-010	1 ea

NOTE: FASTENERS AND 1 TUBE OF TACTILE BOND AND SEAL ARE INCLUDED WITH TILE

**REFERENCE DRAWINGS**

DWG. NO. DESCRIPTION

SCALE: 1"=1'-0" UNLESS OTHERWISE NOTED  
FULL SIZE ONLY

DESIGNED	KES	DATE	10/09/2008
DRAWN	RWO	DATE	10/15/2008
CHECKED	KES	DATE	
PROJECT MANAGER			
TRADE		PART NO.	ACC-S-2X2
REQUIRE WARNING SURFACE			
MATERIAL	POLYMER COMPOSITE		
SUBJECT	<b>ACCESS TILE</b>		
	TRUNCATED DOME, DETECTABLE		
	WARNING TACTILE SURFACE		
	2X2 SURFACE APPLIED		
	INLINE DOME TILE DRAWING.		
DRAWING NO.	ACC-S-2X2	REV. NO.	Ø